

# Decina Bambino Bath Detail Plan

scale NTS

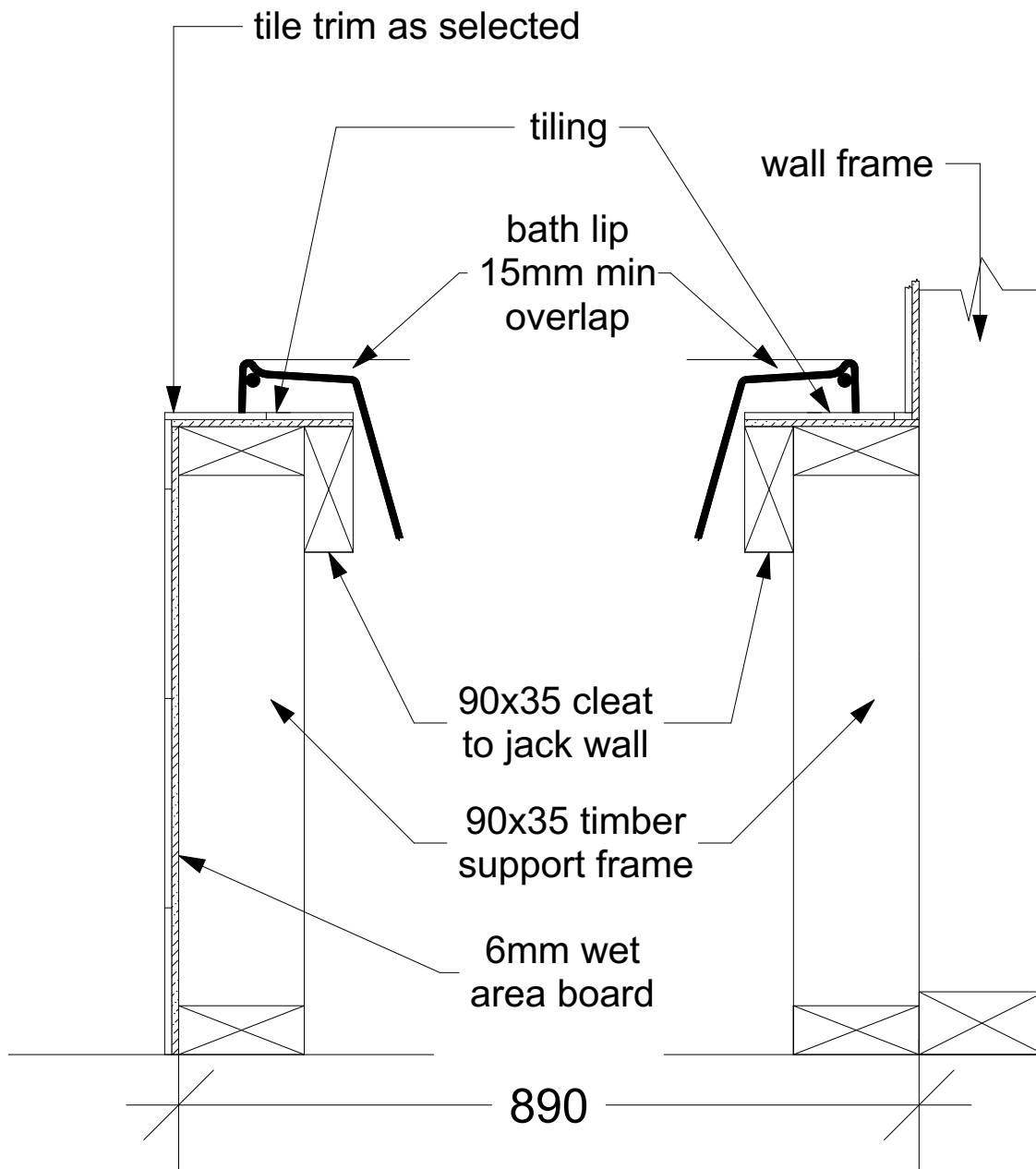
|                                 |     |             |      |
|---------------------------------|-----|-------------|------|
| <b>Detail</b>                   |     |             |      |
| Decina Bambino Bath Detail Plan |     |             |      |
| <b>Drawn by</b>                 | M.F | <b>Date</b> | 2013 |
| <b>Checked</b>                  |     | <b>Date</b> |      |

## DIVERSEBUILDERS

P.O Box 196  
 114 Melville Street  
 Numurkah VIC 3636  
 T 03 5862 2712  
 F 03 5862 3583  
 E info@diversebuilders.com.au  
 W diversebuilders.com.au



**WARNING:-**  
 All information and designs contained within  
 this document are copyright to Diverse Builders  
 RBP Reg No. DBU-8259 - CBU-6016 & NSW 89500C



# Bath Hob Detail

scale NTS

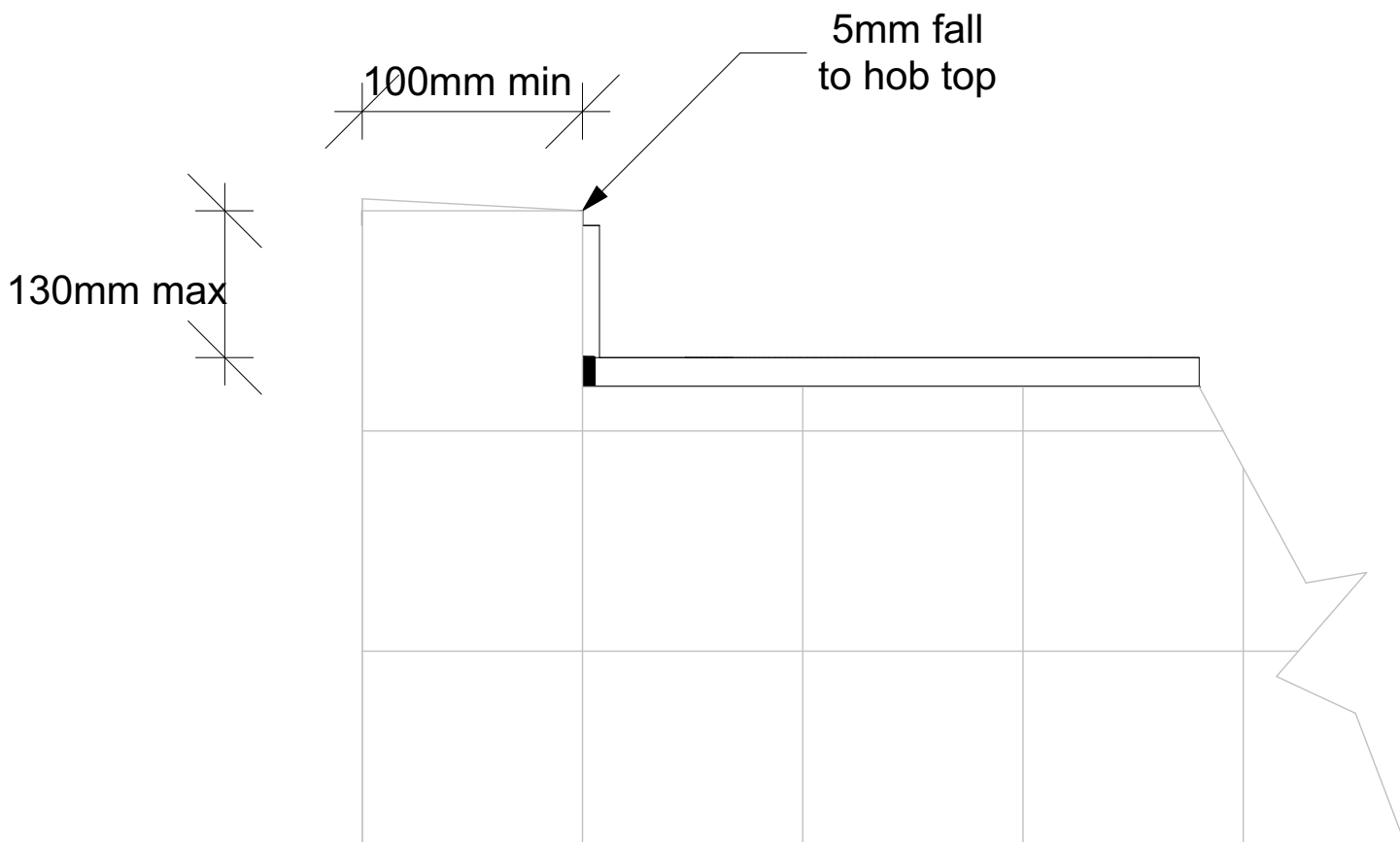
|                 |     |             |      |
|-----------------|-----|-------------|------|
| <b>Detail</b>   |     |             |      |
| Bath Hob Detail |     |             |      |
| <b>Drawn by</b> | M.F | <b>Date</b> | 2013 |
| <b>Checked</b>  |     | <b>Date</b> |      |

## DIVERSEBUILDERS

P.O Box 196  
 114 Melville Street  
 Numurkah VIC 3636  
 T 03 5862 2712  
 F 03 5862 3583  
 E info@diversebuilders.com.au  
 W diversebuilders.com.au



**WARNING:-**  
 All information and designs contained within this document are copyright to Diverse Builders  
 RBP Reg No. DBU-8259 - CBU-6016 & NSW 89500C



# Standard Raised Bath Hob Detail

SCALE NTS

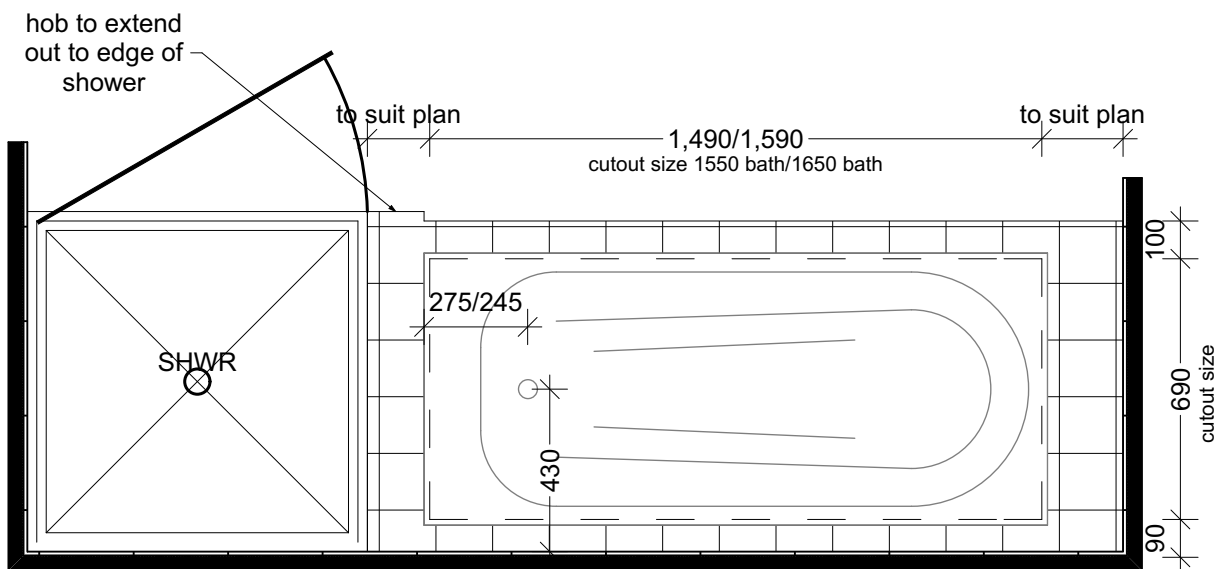
| <b>Detail</b>                   |     |             |      |
|---------------------------------|-----|-------------|------|
| Standard Raised Bath Hob Detail |     |             |      |
| <b>Drawn by</b>                 | M.F | <b>Date</b> | 2013 |
| <b>Checked</b>                  |     | <b>Date</b> |      |

## **DIVERSEBUILDERS**

P.O Box 196  
 114 Melville Street  
 Numurkah VIC 3636  
 T 03 5862 2712  
 F 03 5862 3583  
 E info@diversebuilders.com.au  
 W diversebuilders.com.au



**WARNING:-**  
 All information and designs contained within  
 this document are copyright to Diverse Builders  
 RBP Reg No. DBU-8259 - CBU-6016 & NSW 89500C



**Decina Bambino Bath Detail Plan Beside Shower**  
 scale NTS

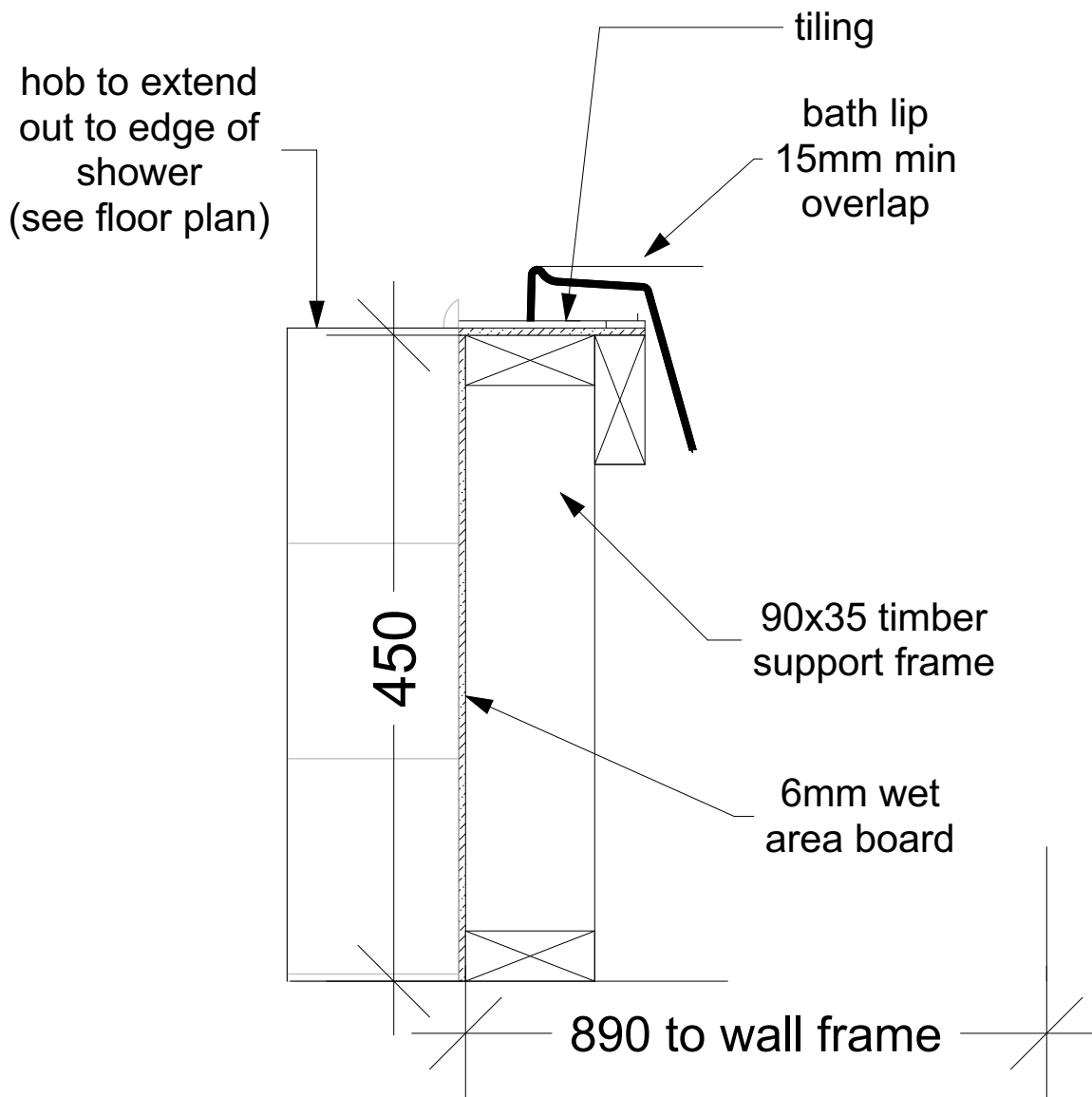
|   |     |             |      |
|---|-----|-------------|------|
| <b>Detail</b>                                 |     |             |      |
| Decina Bambino Bath Detail Plan Beside Shower |     |             |      |
| <b>Drawn by</b>                               | M.F | <b>Date</b> | 2013 |
| <b>Checked</b>                                |     | <b>Date</b> |      |

**DIVERSEBUILDERS**

P.O Box 196  
 114 Melville Street  
 Numurkah VIC 3636  
 T 03 5862 2712  
 F 03 5862 3583  
 E info@diversebuilders.com.au  
 W diversebuilders.com.au



**WARNING:-**  
 All information and designs contained within this document are copyright to Diverse Builders  
 RBP Reg No. DBU-8259 - CBU-6016 & NSW 89500C



# Bath Hob Detail Beside Shower

scale NTS

| <b>Detail</b>                 |     |             |      |
|-------------------------------|-----|-------------|------|
| Bath Hob Detail Beside Shower |     |             |      |
| <b>Drawn by</b>               | M.F | <b>Date</b> | 2013 |
| <b>Checked</b>                |     | <b>Date</b> |      |

## DIVERSEBUILDERS

P.O Box 196  
 114 Melville Street  
 Numurkah VIC 3636  
 T 03 5862 2712  
 F 03 5862 3583  
 E info@diversebuilders.com.au  
 W diversebuilders.com.au



**WARNING:-**  
 All information and designs contained within this document are copyright to Diverse Builders  
 RBP Reg No. DBU-8259 - CBU-6016 & NSW 89500C