

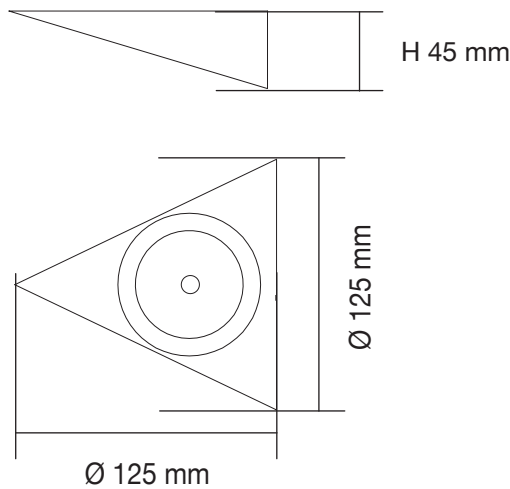


S9105 ST

ANOVA



DIMENSIONS



FEATURES

- LED cabinet downlight
- Pressed steel surface mounted can
- Die-cast aluminium body
- Powder coated finish
- Super bright SMD LED chip
- 12V LED driver required
- **COLOUR TEMPERATURE**
3000K WARM WHITE
6000K DAYLIGHT
- **FITTING COLOUR**
White or Satin Nickel

TECHNICAL SPECIFICATIONS

Model No.	Input Voltage	Power	Luminous Flux	Beam Angle	Colour Temp	CRI (Ra)	Dimmable	Dimensions L x W x H	Fitting Colour
S9105WW ST/WH	12V DC	4W	280lm	90°	3000K	>80	No	125 x 125 x 45 mm	White
S9105DL ST/WH	12V DC	4W	280lm	90°	6000K	>80	No	125 x 125 x 45 mm	White
S9105WW ST/SN	12V DC	4W	280lm	90°	3000K	>80	No	125 x 125 x 45 mm	Satin Nickel
S9105DL ST/SN	12V DC	4W	280lm	90°	6000K	>80	No	125 x 125 x 45 mm	Satin Nickel